

NEW


DRS61: Incremental encoders, number of lines and zero pulse width freely programmable

DRS60: Incremental Encoders with Zero-Pulse-Teach



Further highlights of this generation of encoders:

- Simple zero-pulse-teach by pressing a button located under a cap on the rear of the encoder
- Excellent price/performance ratio
- Long LED lifetime as a result of automatic light regulation
- Maximum reliability as a result of opto-ASICs with Chip-on-Board technology
- Interchangeable collets for hollow shaft diameters from 6 to 15 mm and 1/4, 3/8, 1/2 inch.

	Number of lines 1 up to 8,192
Incremental Encoder	

CoreTech[®]
by **SICK** | **STEGMANN**

Seltec Automation LLP
Unit G, Venture Business Park
Witty Street,
Hull.
East Yorkshire.
Tel. 01482 225297
Fax. 01482 212470
Web. www.seltec.co.uk

C

CoreTech technology permits tailor-made solutions for every application, due to its modular design.

With DRS61 incremental encoders, the number of lines from 1 to 8,192 and the width of the zero pulse can be freely programmed **by the customer**. Therefore, they will be of particular interest to end users, distributors, consulting engineers and system integrators.

DRS60 incremental encoders are available with any desired number of lines between 1 and 8,192.

Whether with face mount flange, servo flange, blind or through hollow shaft with connector or cable outlet, TTL or HTL interface – DRS60/61 encoders will meet virtually any application profile.

Thanks to this wide variety of products, there are numerous possible uses, for example in:

- machine tools
- textile machines
- woodworking machines
- packaging machines

SICK | **STEGMANN**

Dimensional drawings and order information

Programming Tool (USB version) for DRS61

Type	Part no.
PGT-05-S	1035342



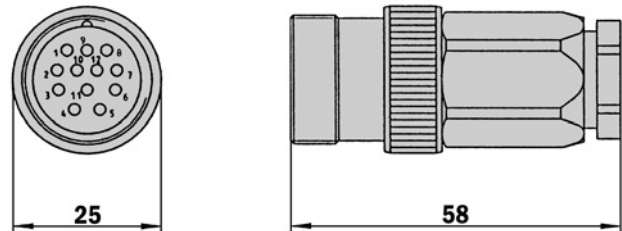
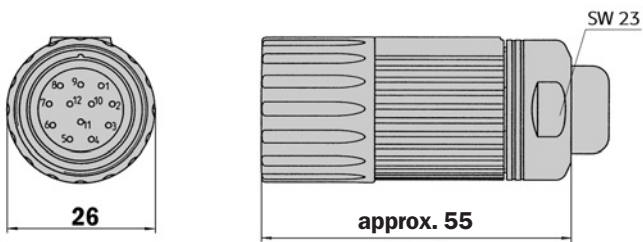
Screw-in system M23, 12 pin

Cable connector M23 female, 12 pin, straight, screened

Type	Part no.	Contacts
DOS-2312-G	6027538	12

Cable connector M23, 12 pin, straight, screened

Type	Part no.	Contacts
STE-2312-G	6027537	12



Connector M23 female, 12 pin, straight, cable 12 cores, 4 x 2 x 0.25 + 2 x 0.5 + 2 x 0.14 mm² with screening, capable of being dragged, cable diameter 7.8 mm

Type	Part no.	Contacts	Cable length
DOL-2312-G1M5MA3	2029212	12	1.5 m
DOL-2312-G03MMA3	2029213	12	3.0 m
DOL-2312-G05MMA3	2029214	12	5.0 m
DOL-2312-G10MMA3	2029215	12	10.0 m
DOL-2312-G20MMA3	2029216	12	20.0 m
DOL-2312-G30MMA3	2029217	12	30.0 m

Dimensional drawings and order information

Cable 8 core, per meter, 4 x 2 x 0.15 mm² with screening, cable diameter 5.6 mm

Type	Part no.	Wires
LTG-2308-MWENC	6027529	8

Cable 11 core, per meter, 4 x 2 x 0.25 + 2 x 0.5 + 1 x 0.14 mm² with screening, cable diameter 7.5 mm

Type	Part no.	Wires
LTG-2411-MW	6027530	11

Cable 12 core, per meter, 4 x 2 x 0.25 + 2 x 0.5 + 2 x 0.14 mm² with screening, capable of being dragged, cable diameter 7.8 mm

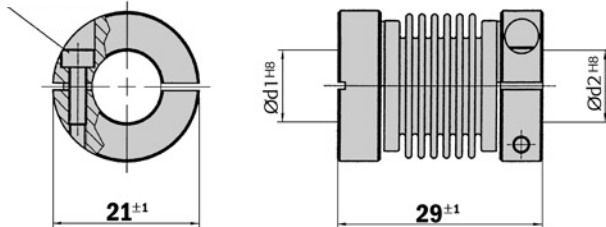
Type	Part no.	Wires	Explanation
LTG-2512-MW	6027531	12	
LTG-2612-MW	6028516	12	UV and salt water resistant

Couplings

Bellows coupling, max. shaft offset radial ± 0.3 mm, axial 0.4 mm, angle ± 4 degrees, torsion spring stiffness 120 Nm/rad, bellows of stainless steel, hubs of aluminium

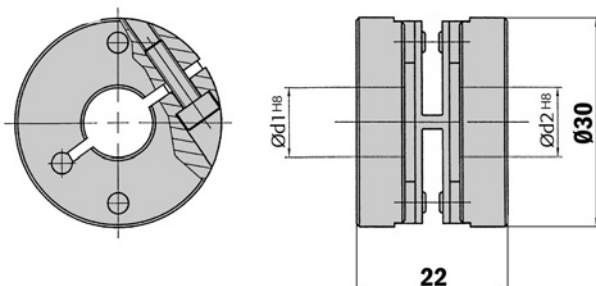
Type	Part no.	Shaft diameter
KUP-0606-B	5312981	6 mm ... 6 mm
KUP-0610-B	5312982	6 mm ... 10 mm
KUP-1010-B	5312983	10 mm ... 10 mm
KUP-1012-B	5312984	10 mm ... 12 mm

Cheese-head screw
M2,5x8 DIN912 A2



Spring-disc coupling, max. shaft offset radial ± 0.3 mm, axial 0.4 mm, angle ± 2.5 degrees, torsion spring stiffness 50 Nm/rad, flange of aluminium, spring-discs of glass-fibre-reinforced plastic

Type	Part no.	Shaft diameter
KUP-0610-F	5312985	6 mm ... 10 mm
KUP-1010-F	5312986	10 mm ... 10 mm



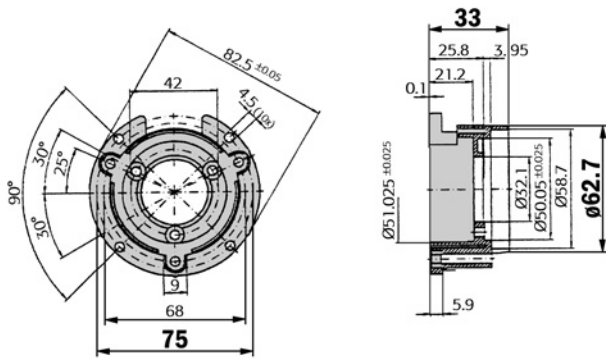
General tolerances according to DIN ISO 2768-mk

Dimensional drawings and order information

Mechanical Adaptors

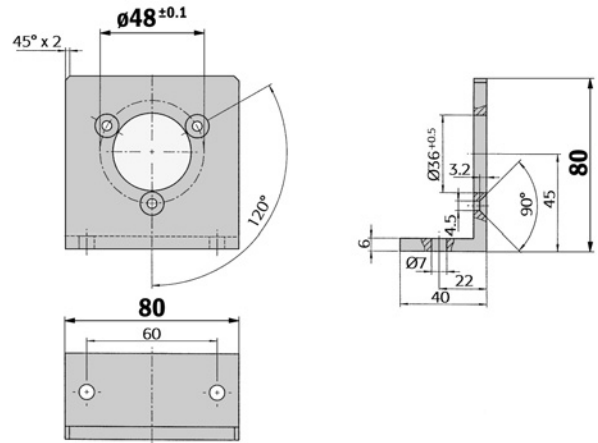
Mounting bell incl. fixing set for encoder with servo flange

Type	Part no.	Flange spigot
BEF-MG-50	5312987	Diameter 50 mm



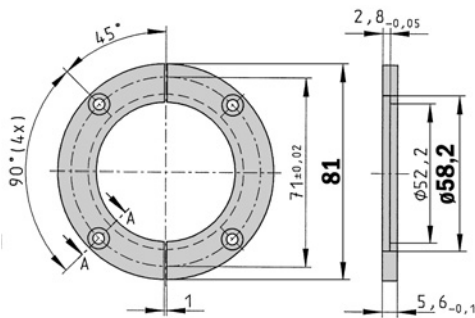
Mounting angle incl. fixing set for encoder with face mount flange

Type	Part no.	Flange spigot
BEF-WF-36	2029164	Diameter 36 mm



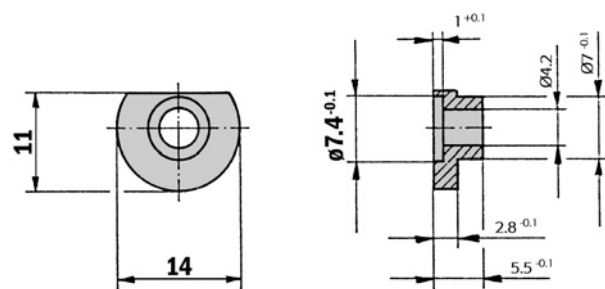
Servo clamps half ring, Set (comprises 2 pieces) for servo flanges with spigot diameter 50 mm

Type	Part no.
BEF-WG-SF050	2029165



Servo clamps small, Set (comprises 3 pieces) for servo flanges

Type	Part no.
BEF-WK-SF	2029166

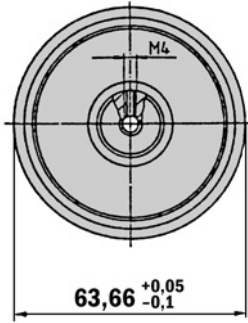


Dimensional drawings and order information

Mechanical Adaptors

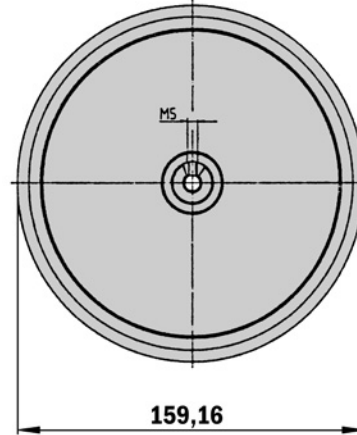
Measuring wheel for encoder shafts with diameter 10 mm, type material plastic (Hytrel), wheel material plastic with aluminium hub

Type	Part no.	Circumference	Surface
BEF-MR-010020	5312988	0.2 m	smooth
BEF-MR-010020G	5318678	0.2 m	knurled



Measuring wheel for encoder shafts with diameter 10 mm, type material plastic (Hytrel), wheel material plastic with aluminium hub

Type	Part no.	Circumference	Surface
BEF-MR-010050	5312989	0.5 m	smooth



Collets

Collets for blind hollow shaft encoder

Type	Part no.	Shaft diameter
SPZ-006-AD-A	2029174	6 mm
SPZ-1E4-AD-A	2029175	1/4"
SPZ-008-AD-A	2029176	8 mm
SPZ-3E8-AD-A	2029177	3/8"
SPZ-010-AD-A	2029178	10 mm
SPZ-012-AD-A	2029179	12 mm
SPZ-1E2-AD-A	2029180	1/2"

Collets for through hollow shaft encoder

Type	Part no.	Shaft diameter
SPZ-006-AD-D	2029192	6 mm
SPZ-1E4-AD-D	2029193	1/4"
SPZ-008-AD-D	2029194	8 mm
SPZ-3E8-AD-D	2029195	3/8"
SPZ-010-AD-D	2029196	10 mm
SPZ-012-AD-D	2029197	12 mm
SPZ-1E2-AD-D	2029198	1/2"