

- Easy switch point adjust. by means of 2 setting rings for simple reading.
- New stainless steel measuring cell, e.g. for freons in refrigerating technology.
- Mechanical lock prevents unintentional manipulation.
- High bursting pressure range for gases and liquids.
- Ideal for use in accumulator charging in hydraulics and pneumatics.



Accessories

Type	Description	Order no.
	Flange adapter G 1/4 for pressure sensors type PP7 / type PK	E30063
	Damping screw for pressure sensors type PK	E30057
	Protective cover, sealable	E30094

Connectors and splitter boxes

Type	Description	Order no.
	Socket, M12, Group 7 5 m black, PUR cable	EVC005
	Socket, M12, Group 7 10 m black, PUR cable	EVC006
	Socket, M12, Group 7 5 m black, PUR cable	EVC002
	Socket, M12, Group 7 10 m black, PUR cable	EVC003

Further accessories are available starting on page 217

Further connectors and splitter boxes are available starting on page 191

	For industrial applications	PN pressure sensors with display	PE pressure sensors / transmitters with display	PN / PY pressure sensors / transmitters with display	PK pressure sensors with setting rings	PP pressure sensors	PA / PPA pressure transmitters	PS part seat monitoring
Pressure sensors and transmitters								
Page		90 - 91	92 - 93	94 - 97	98 - 99	100 - 101	102 - 103	104 - 105



**Stainless steel measuring cell, welded without sealing ring**  
**Process connection: PK65xx, P75xx: G 1/4 A, PK67xx, PK87xx: R 1/4 A**

Measuring range [bar]	P <sub>overload max.</sub> [bar]	P <sub>bursting min.</sub> [bar]	Switch-on point SP1 [bar]	Switch-off point rP1 [bar]	Protection	Drawing no.	Order no.
<b>M12 connector · Output function  complementary PNP · Connector groups 7, 8, 9 · Wiring diagram no. 17</b>							
0...400	600	1600	20...400	12...392	IP 67	5	<b>PK6520</b>
0...250	400	1000	12.5...250	7.5...245	IP 67	5	<b>PK6521</b>
0...100	200	1000	5...100	3...98	IP 67	5	<b>PK6522</b>
0...25	60	500	1.25...25	0.75...24.5	IP 67	5	<b>PK6523</b>
0...10	25	300	0.5...10	0.3...9.8	IP 67	5	<b>PK6524</b>
<b>M12 connector · Output function  PNP · Connector groups 7, 8, 9 · Wiring diagram no. 3</b>							
0...400	600	1600	12...400	2 % hysteresis	IP 67	5	<b>PK7520</b>
0...250	400	1000	7.5...250	2 % hysteresis	IP 67	5	<b>PK7521</b>
0...100	200	1000	3...100	2 % hysteresis	IP 67	5	<b>PK7522</b>
0...10	25	300	0.3...10	2 % hysteresis	IP 67	5	<b>PK7524</b>
<b>M12 connector · Output function  complementary PNP · Connector groups 7, 8, 9 · Wiring diagram no. 17</b>							
0...400	600	1600	20...400	12...392	IP 67	6	<b>PK6730</b>
0...250	400	1000	12.5...250	7.5...245	IP 67	6	<b>PK6731</b>
0...100	200	1000	5...100	3...98	IP 67	6	<b>PK6732</b>
0...10	25	300	0.5...10	0.3...9.8	IP 67	6	<b>PK6734</b>
<b>M12 connector · Output function  complementary NPN · Connector groups 7, 8, 9 · Wiring diagram no. 18</b>							
0...400	600	1600	20...400	12...392	IP 67	6	<b>PK8730</b>
0...250	400	1000	12.5...250	7.5...245	IP 67	6	<b>PK8731</b>
0...100	200	1000	5...100	3...98	IP 67	6	<b>PK8732</b>
0...10	25	300	0.5...10	0.3...9.8	IP 67	6	<b>PK8734</b>

**Common technical data**

Ub: 9.6...32 V DC  
 Current consumption: < 25 mA  
 Current rating: 500 mA  
 Switch point accuracy: < ± 2.5 %  
 Repeatability: < ± 0.5 %  
 Shock resistance: 50 g (11 ms)  
 Vibration resistance: 20 g (10...2,000 Hz)  
 Materials (wetted parts):  
 high-grade stainless steel (316S12);  
 FPM (Viton)

**You can find scale drawings from page 243**

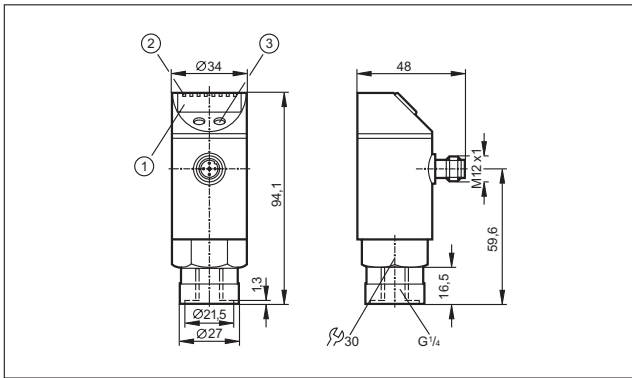
<p>PY7 pressure sensors with display</p> <p>106 - 107</p>	<p>PNI pressure sensors with analogue input</p> <p>108 - 109</p>	<p>FDT- Container- Programm</p> <p>110 - 111</p>	<p>EPS parameter- setting systems</p> <p>112 - 113</p>	<p>For hygienic areas and viscous media</p> <p>114 - 125</p>	<p>For hazardous areas</p> <p>126 - 127</p>
---	--	--	--	--	---

- General information
- List of articles
- Level sensors
- Flow sensors
- Pressure sensors
- Temperature sensors
- Diagnostic systems
- Evaluation systems power supplies
- Connection technology
- Accessories
- Technical information and customer service



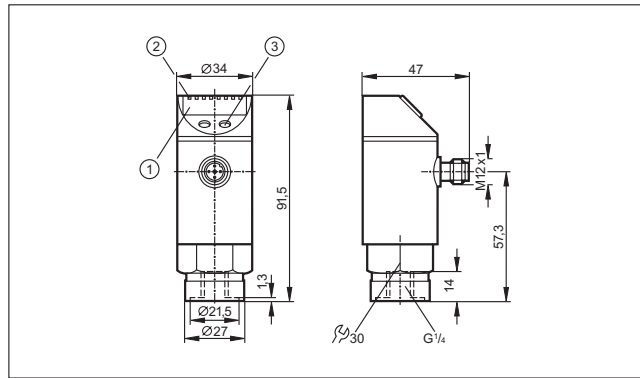
Pressure sensors and transmitters

**1** type PE, PN ....



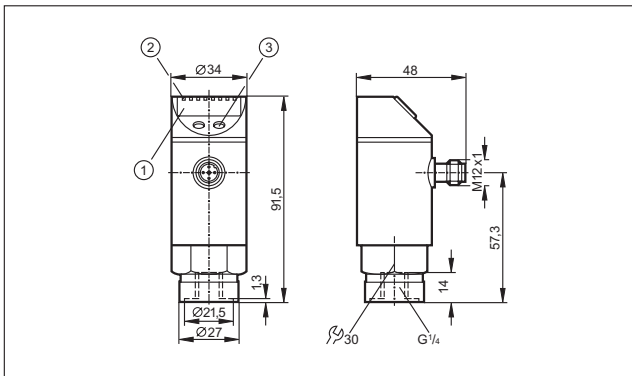
1: 4-digit alphanumeric display, 2: LEDs (display unit / switching status), 3: Programming button, Page 91, 93, 97

**4** type PN ....



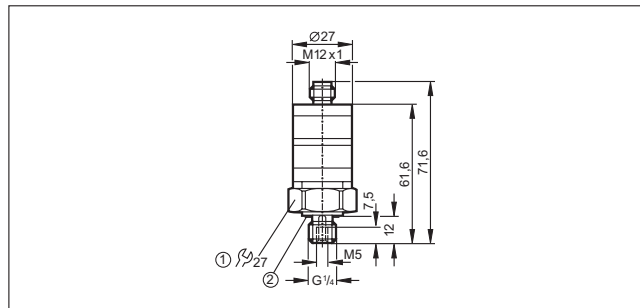
1: 4-digit alphanumeric display, 2: LEDs (display unit / switching status), 3: Programming button, Page 95, 127

**2** type PE, PN, PY ....



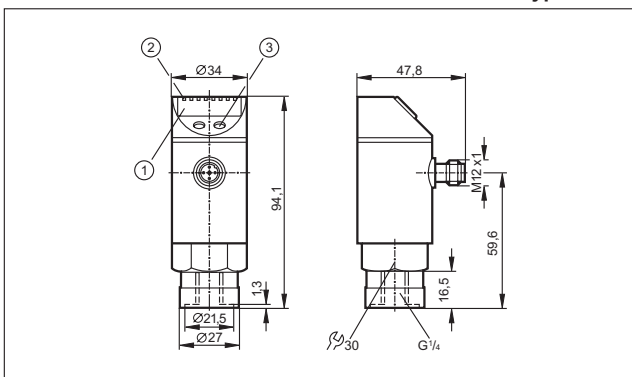
1: 4-digit alphanumeric display, 2: LEDs (display unit / switching status), 3: Programming button, Page 91, 93, 95, 97, 109

**5** type PK ....



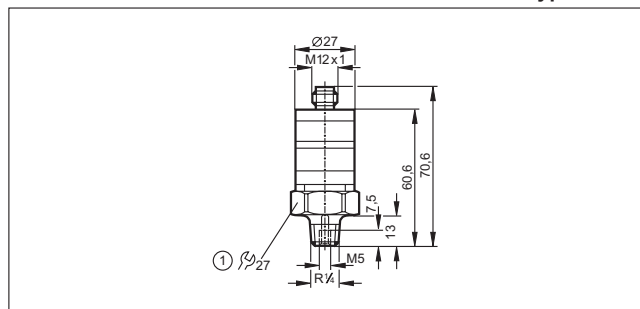
1: tightening torque 25 Nm, 2: sealing FPM / DIN 3869-14, Page 99

**3** type PN ....



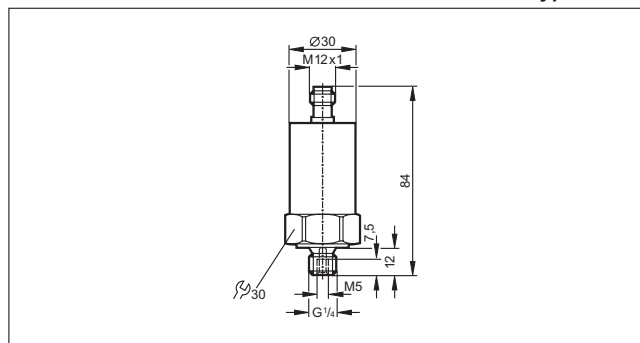
1: 4-digit alphanumeric display, 2: LEDs (display unit / switching status), 3: Programming button, Page 95

**6** type PK ....



1: tightening torque 25 Nm, Page 99

**7** type PP ....



Page 101

- General information
- List of articles
- Level sensors
- Flow sensors
- Pressure sensors
- Temperature sensors
- Diagnostic systems
- Evaluation systems power supplies
- Connection technology
- Accessories
- Technical information and customer service