

# CUB5 Series Panel Meters

Versatile panel meters for indication, setpoint control, and/or communication



- Compact size
- Accepts various inputs
- Optional setpoint control modules
- Optional communication modules
- 0.46" LCD digits
- Reflective or selectable backlight display
- NEMA 4X/IP65
- Crimson 2 software for simple programming

Contact:  
Seltec Automation LLP  
Unit G, Venture Business Park  
Witty Street  
HULL  
East Yorkshire  
HU3 4EL  
Tel. 01482 225297  
Fax. 01482 212470  
Email: [sales@seltec.co.uk](mailto:sales@seltec.co.uk)  
Web: [www.seltec.co.uk](http://www.seltec.co.uk)

**red ion**  
trust+innovation®

### Immense functionality in a compact footprint.

Imagine all the functionality and performance of a full-size panel meter compacted into a small, easy-to-mount solution that fits just about anywhere. CUB5 Panel Meters offer extraordinary features and performance capabilities in a compact 39 x 75 mm footprint, nearly half the size of 1/8 DIN meters. The CUB5 Series is available in a variety of models to fit your specific industrial application. From its complete, yet simple front panel programming to optional setpoint control and communications modules for added capabilities, CUB5 panel meters offer ultimate user flexibility. These meters feature sealed front bezels rated NEMA 4X/IP65 for use in washdown environments.

Shown actual size



### CUB5 Common Features

- .46" (12 mm) LCD Display
- LCD, Reflective or User Selectable Red or Green LED Backlighting
- Control and Communication Capability, see Options
- Display Color Change at Preset
- Decimal Points and Scaling
- Front Panel Programming
- Crimson Software Programming
- 10 – 28 VDC Power
- NEMA 4X/IP65 Sealed Front Bezel

### Digital Models

### Analog Models

Measuring **DC Current and Voltage** is no problem for the CUB5 Panel Meters. The CUB5ID, DC Current Meter offers 4 Current Ranges with a maximum input of 199.99 mA. The CUB5VD, DC Volt Meter has 4 Voltage Ranges, and a maximum input of 199.9 VDC.

- Current Ranges; 0 – 199.9  $\mu$ A, 1.999 mA, 19.99 mA, and 199.99 mA
- Voltage Ranges; 0 – 199.9 mV, 1.999 V, 19.99 V, and 199.9 V
- Custom Display Units Backlight

#### Part Numbers

- CUB5IDB0 – Current Meter, Red/Green Backlight Display
- CUB5IDR0 – Current Meter, Reflective Display
- CUB5VDB0 – Volt Meter, Red/Green Backlight Display
- CUB5VDR0 – Volt Meter, Reflective Display

**Process Signals** from flow meters, pressure sensors, and positioning sensors are quite common on today's plant floor. The CUB5P, Process Meter is designed to accept these signals and display them in the desired display readout.

- Dual Range – 4 to 20 mA and 10 to 50 mA
- Span and Offset Capability
- Custom Display Units Backlight

#### Part Numbers

- CUB5PB00 – Process, Red/Green Backlight Display
- CUB5PR00 – Process, Reflective Display

Most industrial processes use some form of **Temperature Measurement**, typically from RTD or Thermocouple Sensors. The CUB5RT is designed to accept inputs from RTD sensors and the CUB5TC accepts Thermocouple sensors.

- RTD – Pt385, Pt392, Ni672, Cu427
- Thermocouple – T, E, J, K, R, S, B, N, or mV
- Custom Display Units Backlight

#### Part Numbers

- CUB5RTB0 – RTD Meter, Red/Green Backlight Display
- CUB5RTR0 – RTD Meter, Reflective Display
- CUB5TCB0 – Thermocouple Meter, Red/Green Backlight Display
- CUB5TCR0 – Thermocouple Meter, Reflective Display

The versatile **Dual Count/Rate Meter** can indicate two separate count functions while providing a rate display. The CUB5 has eight count inputs, including bi-directional and quadrature. The rate uses time interval for optimal display response.

- Count Speeds up to 20 KHz
- Scaling for Count and Rate
- Quadrature Sensing with 4 Times the Resolution

#### Part Numbers

- CUB5B000 – Count/Rate, Red/Green Backlight Display
- CUB5R000 – Count/Rate, Reflective Display

The CUB5T features two input signals and eight operating modes to solve various **Timing** applications. Bi-directional timing with up to 18 different timing modes expand the unit's capability.

- 7 Digit Timing Capability
- 6 Digit Cycle Counting Capability
- Automatic Timer Reset Modes

#### Part Numbers

- CUB5TB00 – Timer, Red/Green Backlight Display
- CUB5TR00 – Timer, Reflective Display

### Extra Power.

The CUB5 Series can be powered by AC using an optional Red Lion Micro-Line/Sensor Power Supply that attaches directly to the back of any model. The MLPS1 is powered from an 85 to 250 VAC source and provides up to 400 mA to drive the CUB5 unit and any attached sensors.



**Part Number** MLPS1000 – Micro-Line Power Supply

### Add options as you need them.

#### Communications Module

Available in RS232 and RS485 formats and provides serial ASCII communications for sending and receiving data through the meter.

#### Part Number

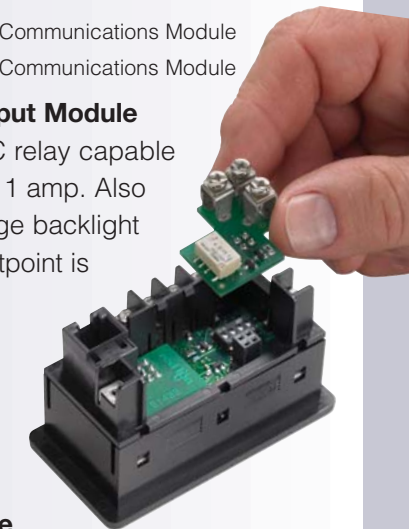
- CUB5COM1 – RS485 Communications Module
- CUB5COM2 – RS232 Communications Module

#### Single Relay Output Module

Features a Form C relay capable of switching up to 1 amp. Also programs to change backlight display when a setpoint is reached.

#### Part Number

- CUB5RLY0 – Relay Output Module

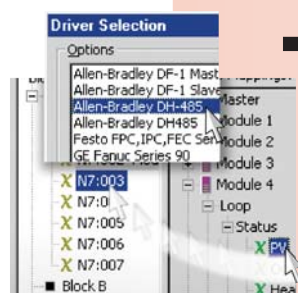
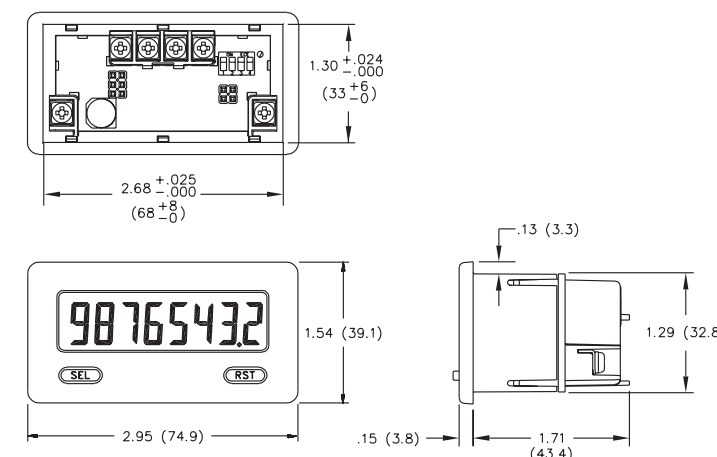


#### NEW Dual Transistor Module

This module has two NPN-OC Transistors providing upper and lower setpoint control. Each output is capable of sinking 100 mA. This module operates with any of the CUB5 Analog Models.

#### Part Number

- CUB5NPN0 – Dual Transistor Module



## CRIMSON The easiest and most flexible programming software available.

Red Lion's remarkable Crimson 2 software allows you to store data for later retrieval and to easily program multiple units simultaneously. It features a completely user-friendly design including drag-and-drop data mapping, display, control and data logging tools. An extensive library of device drivers quickly establishes communications between the Red Lion product and virtually any device. Best of all, Crimson is free. As are software updates, support cabling instructions and communication drivers.

# The Big Picture



Large Display Timers and Counter/Rate Meters offer versatile functionality in easy-to-read 2.25" and 4" red LED digits. Now you can monitor factory processes up to 180 feet away. There are basic counting or timing models available, or fully programmable models with setpoint control and communications. The sealed front panel is rated NEMA 4/IP65 for washdown environments.

- Count, Rate, Timing
- Available in 4 or 6 digit versions
- Input Scaling Available
- Setpoint Control
- RS485/RS232 Communications
- Convenient PC configuration
- AC or DC powered
- Aluminum case construction

#### Part Numbers

- LD200400 - 2.25" High 4-Digit Counter
- LD200600 - 2.25" High 6-Digit Counter
- LD400400 - 4" High 4-Digit Counter
- LD400600 - 4" High 6-Digit Counter
- LD2006P0 - 2.25" High 6-Digit Programmable Count/Rate Indicator
- LD4006P0 - 4" High 6-Digit Programmable Count/Rate Indicator
- LD2T06P0 - 2.2" High 6-Digit Elapsed/Preset Timer
- LD4T06P0 - 4" High 6-Digit Elapsed/Preset Timer



#### [www.redlion.net](http://www.redlion.net)

Order your free catalog today to learn more about the flexibility and ease-of-use offered by Red Lion's CUB5 Series Panel Meters. Adding unparalleled CUB5 functionality to your process is quick and easy. For your local representative call **717-767-6511**.

**Red Lion Controls** 20 Willow Springs Circle, York, PA 17402  
ph: (717) 767-6511 fax: (717) 764-0839 [www.redlion.net](http://www.redlion.net)